

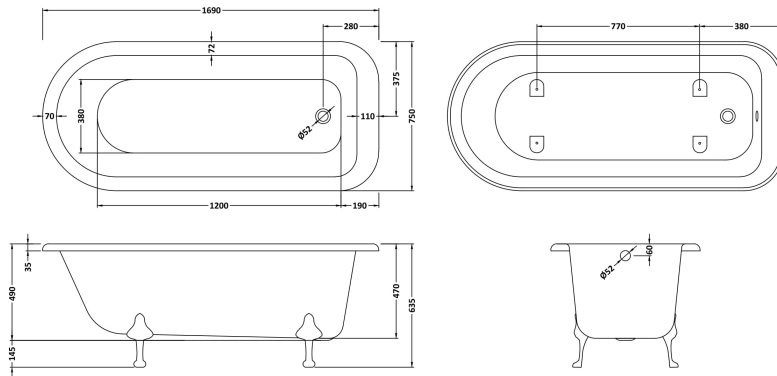
B A Y S W A T E R

London W.2

CODE: BAYB103

DESCRIPTION: Sutherland 1700 Single End F/Stand Bath

CATEGORY: Baths



PRODUCT DIMENSIONS			
Length (mm)	Width (mm)	Height (mm)	Nett Wgt Kg
1690	750	490	47.5

PACKAGING DIMENSIONS			
Length (mm)	Width (mm)	Height (mm)	Gross Wgt Kg
1710	770	510	47.5

PACKAGING DATA			
Box Colour	Brown Cardboard Sleeve		
Box Qty	1	Label Colour	White Label
Label Size	100 X 50	Label Qty	2

OUTER BOX DIMENSIONS (If Applicable)			
Length (mm)	Width (mm)	Height (mm)	Gross Wgt Kg
Barcode	5055275892503		

PRODUCT DETAILS							
Country of Origin	United Kingdom			Certification	FSC	N/A	CE
Fitting Instruction	No			Material Colour Ref'	European White		
Product Material	Acrylic			Material Thickness	14mm		
Volume (Ltr)	200L			Displaced Capacity	130L		
Leg Set Inc'	Legset Not Included			Waste Inc'	Waste Not Included		
Drilled/Undrilled	Undrilled For Taps			Includes Grips	No Grips Supplied		
Embossed	No			No of Tapholes	None		
Anti-Slip	No						