

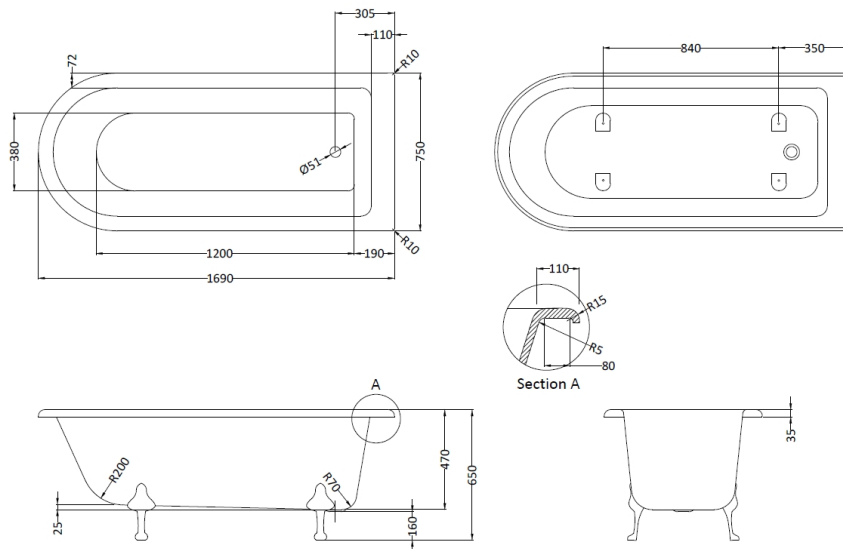
# B A Y S W A T E R

London W.2

**CODE:** BAYB113

**DESCRIPTION:** 1700 Freestanding Shower Bath

**CATEGORY:** Baths



PRODUCT DIMENSIONS			
Length (mm)	Width (mm)	Height (mm)	Nett Wgt Kg
1690	750	470	46.7

PACKAGING DIMENSIONS			
Length (mm)	Width (mm)	Height (mm)	Gross Wgt Kg
1690	750	500	47.5

PACKAGING DATA			
Box Colour	Brown Cardboard Sleeve		
Box Qty	1	Label Colour	White Label
Label Size	100 X 50	Label Qty	2

OUTER BOX DIMENSIONS (If Applicable)			
Length (mm)	Width (mm)	Height (mm)	Gross Wgt Kg
Barcode	5056211805014		

PRODUCT DETAILS				
Country of Origin	China	Certification	FSC	N/A
Fitting Instruction	No	Material Colour Ref'	European White	
Product Material	Acrylic	Material Thickness	14mm	
Volume (Ltr)	210	Displaced Capacity	140	
Leg Set Inc'	Legset Not Included	Waste Inc'	Waste Not Included	
Drilled/Undrilled	Undrilled For Taps	Includes Grips	No Grips Supplied	
Embossed	No	No of Tapholes	None	
Anti-Slip	No			