

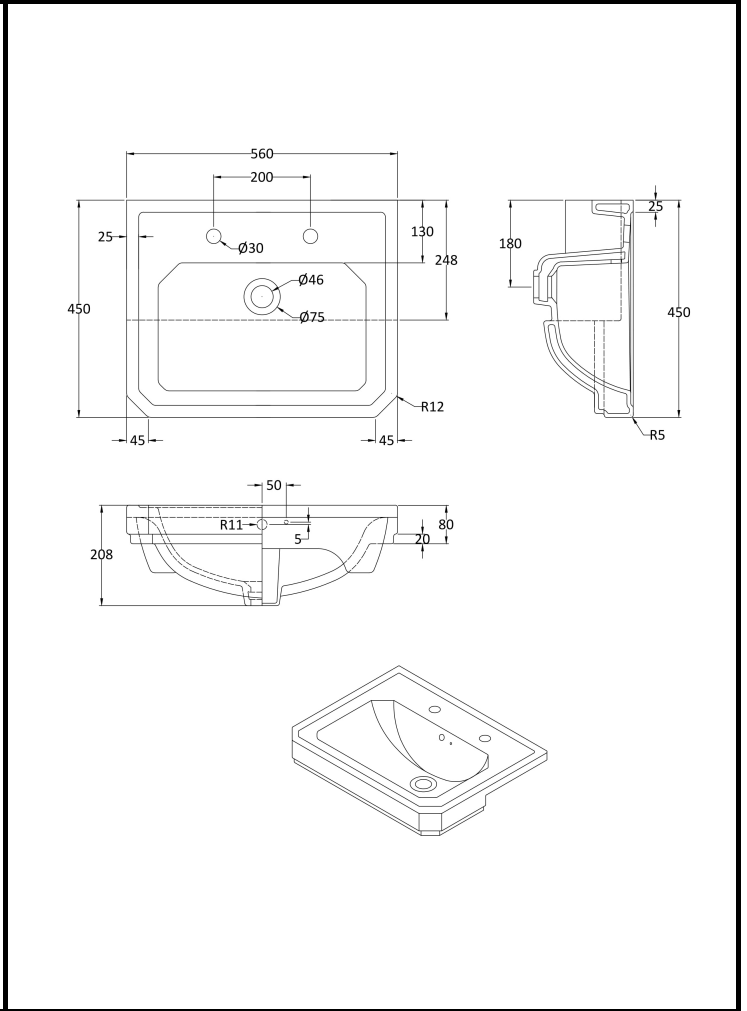
# B A Y S W A T E R

London W.2

**CODE:** BAYC025

**DESCRIPTION:** 560mm S/Recess Basin 2Th

**CATEGORY:** Ceramics



PRODUCT DIMENSIONS			
Height (mm)	Width (mm)	Depth (mm)	Nett Wgt Kg
208	560	450	14.6

PACKAGING DIMENSIONS			
Height (mm)	Width (mm)	Depth (mm)	Gross Wgt Kg
220	460	570	15.2

PACKAGING DATA			
Box Colour	Brown Cardboard Box		
Box Qty	1	Label Colour	White Label
Label Size	100 x 50	Label Qty	2

OUTER BOX DIMENSIONS (If Applicable)			
Height (mm)	Width (mm)	Depth (mm)	Gross Wgt Kg
Barcode	5056211869245		

PRODUCT DETAILS			
Country of Origin	China		
Fitting Instruction	No	Colour	White

Certification	CE	WRAS	N/A	WRAS Number	N/A
Product Material	Vitreous China				

PANS/BIDETS			
Trap Style	Not Applicable	Includes Seat	Not Applicable

CISTERNS			
Fittings	Not Applicable	Operating Type	Not Applicable
Lever Type	Not Applicable		

SEAT			
Type	Not Applicable	Function	Not Applicable
Material	Not Applicable		
Hinge Type	Not Relevant	Hinge Material	Not Applicable

BASINS			
Tap Hole	Two Taphole	Chain Stay Hole	No
Template	Yes Supplied	Waste Type Req'd	Slotted
Overflow Incl.	Yes	Overflow Cover	Yes
Inner Bowl Depth	110mm	Inner Bowl Width	430mm
Inner Bowl Height	110mm		

GENERAL	
Fixing Supplied	No