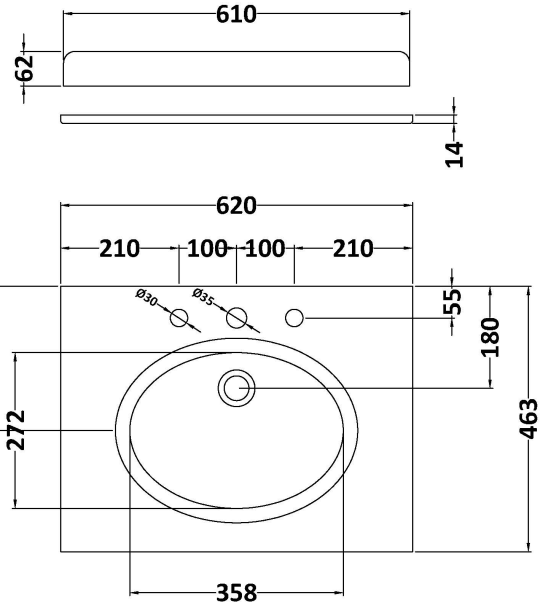


CUSTOMER DATA SHEET - CERAMICS

SALES CODE:

DESCRIPTION:



PRODUCT DIMENSIONS

| Height (mm) | Width (mm) | Depth (mm) | Nett Wgt Kg |
|-------------|------------|------------|-------------|
| | | | |

PACKAGING DIMENSIONS

| Height (mm) | Width (mm) | Depth (mm) | Gross Wgt Kg |
|-------------|------------|------------|--------------|
| | | | |

PACKAGING DATA

| | | | |
|------------|---|--------------|--|
| Box Colour | | | |
| Box Qty | | Label Colour | |
| Label Size | x | Label Qty | |

OUTER BOX DIMENSIONS (If Applicable)

| Height (mm) | Width (mm) | Depth (mm) | Gross Wgt Kg |
|-------------|------------|------------|--------------|
| | | | |
| Barcode | | | |

PRODUCT DETAILS

| | |
|---------------------|--|
| Country of Origin | |
| Fitting Instruction | |

| | | | |
|------------------|----|------|-------------|
| Certification | CE | WRAS | WRAS Number |
| Product Material | | | |

PANS/BIDETS

| | | | |
|------------|--|---------------|--|
| Trap Style | | Includes Seat | |
|------------|--|---------------|--|

CISTERNS

| | | | |
|------------|--|----------------|--|
| Fittings | | Operating Type | |
| Lever Type | | | |

SEAT

| | | | |
|------------|--|----------------|--|
| Type | | Function | |
| Material | | | |
| Hinge Type | | Hinge Material | |

BASINS

| | | | |
|------------------|--|------------------|--|
| Tap Hole | | Chain Stay Hole | |
| Template | | Waste Type Req'd | |
| Overflow Incl. | | Overflow Cover | |
| Inner Bowl Depth | | | |

GENERAL

| | |
|-----------------|--|
| Fixing Supplied | |
|-----------------|--|