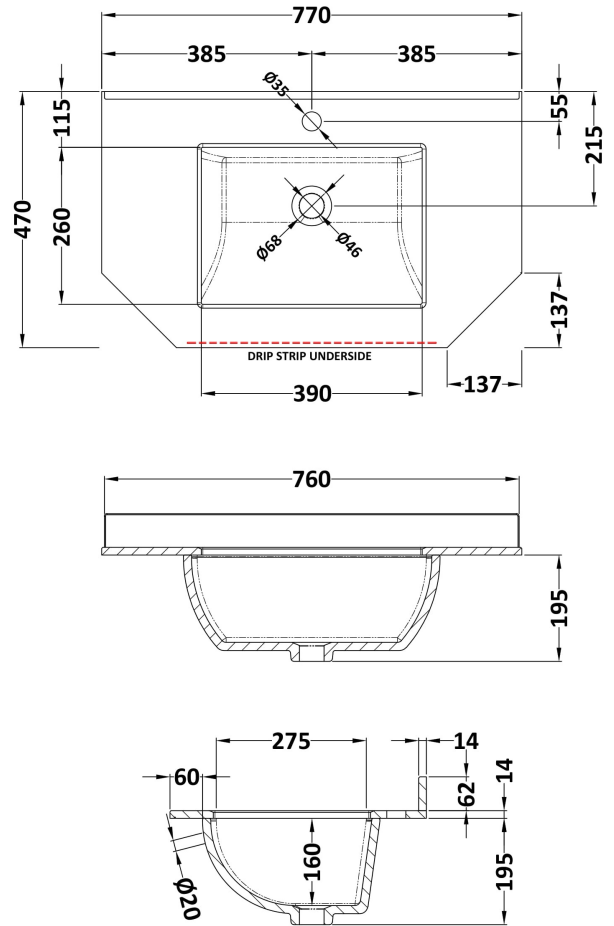


CUSTOMER DATA SHEET - CERAMICS

SALES CODE:

DESCRIPTION:



PRODUCT DIMENSIONS

Height (mm)	Width (mm)	Depth (mm)	Nett Wgt Kg

PACKAGING DIMENSIONS

Height (mm)	Width (mm)	Depth (mm)	Gross Wgt Kg

PACKAGING DATA

Box Colour		Label Colour	
Box Qty		Label Qty	
Label Size	x	Label Qty	

OUTER BOX DIMENSIONS (If Applicable)

Height (mm)	Width (mm)	Depth (mm)	Gross Wgt Kg
Barcode			

PRODUCT DETAILS

Country of Origin	
Fitting Instruction	

Certification	CE	WRAS	WRAS Number
Product Material			

PANS/BIDETS

Trap Style		Includes Seat	
------------	--	---------------	--

CISTERNS

Fittings		Operating Type	
Lever Type			

SEAT

Type		Function	
Material			
Hinge Type		Hinge Material	

BASINS

Tap Hole		Chain Stay Hole	
Template		Waste Type Req'd	
Overflow Incl.		Overflow Cover	
Inner Bowl Depth			

GENERAL

Fixing Supplied	
-----------------	--